

SB

Bimetallic Dial Thermo Meter

Description

The SB model Bi-metallic thermometer is a quick reacting bimetal coil. It is manufactured from two cold-welded metal strips with different thermal expansion coefficients and rotates in proportion to temperature. The rotary movement is conveyed to the pointer with low friction.

A comprehensive range of the standard version enables a wide range of application and uses. Special versions are also manufactured to customer specifications.

Nominal Sizes

- SB63, SB100 and SB150

Features

- Quick response leading to fast measurement
- Overload capacity 1.3 times of FS
- Protection to IP65
- Casing, Stainless Steel 304 standard
- Wide selection of standard models
- Special versions to the customer specifications

Ranges

- -30°C to +50°C to 0°C to 500°C

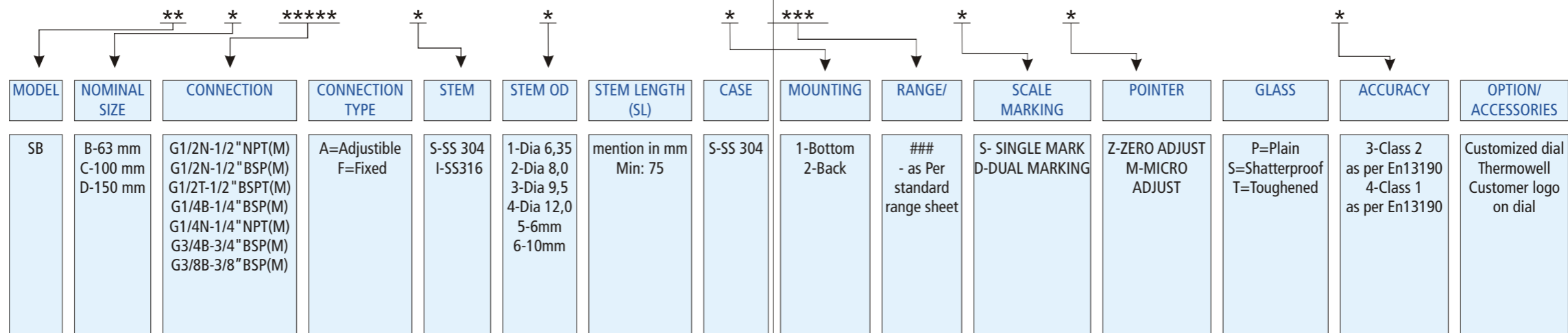
Application

- Petroleum industries
- Thermal / Nuclear / Hydro power stations
- Heating and ventilation
- Food processing industries / Hygienic applications
- Water treatment plants
- Iron and steel industries
- General mechanical engineering industries
- Rubber molding / Processing plants
- Chemical process industries
- Air-conditioning

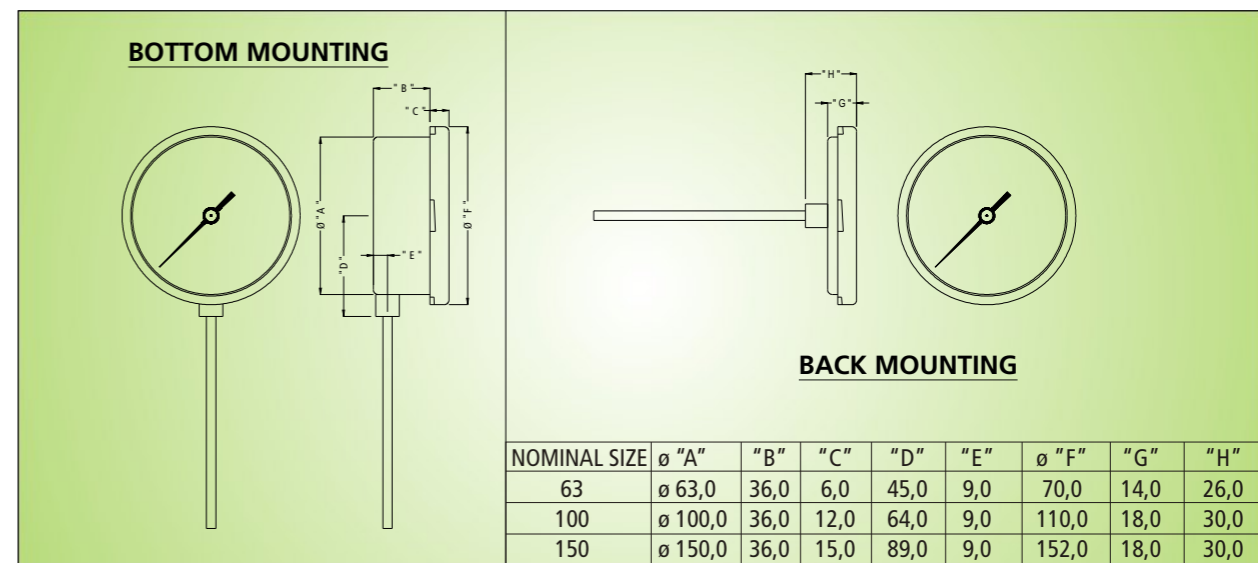
Mountings

- Direct Bottom
- Direct Back





Temperature range		Stem Length in "mm"					
CODE	Single Scale °C	Min stem Lg 6.35 dia tube	Max stem Lg 6.35 dia tube	Min stem Lg 8,0/9,5 dia tube	Max stem Lg 8,0/9,5 dia tube	Min stem Lg 12,0 dia tube	Max stem Lg 12,0 dia tube
300	-20+40	110,0	450,00	95,0	400,00	65,0	375,00
301	-20+60	85,0	450,00	75,0	400,00	50,0	375,00
302	-20+120	50,0	450,00	45,0	400,00	30,0	375,00
303	-30+30	110,0	450,00	95,0	400,00	65,0	375,00
304	-30+50	85,0	450,00	75,0	400,00	50,0	375,00
305	-30+70	70,0	450,00	60,0	400,00	45,0	375,00
306	0+60	110,0	450,00	95,0	400,00	65,0	375,00
307	0+80	85,0	450,00	75,0	400,00	50,0	375,00
308	0+100	70,0	350,00	60,0	300,00	45,0	300,00
309	0+120	55,0	350,00	50,0	300,00	35,0	300,00
310	0+160	45,0	350,00	40,0	300,00	30,0	300,00
311	0+200	35,0	350,00	30,0	300,00	25,0	300,00
312	0+250	50,0	350,00	45,0	300,00	30,0	300,00
313	0+300	40,0	350,00	35,0	300,00	25,0	300,00
314	0+400	35,0	350,00	30,0	300,00	20,0	300,00
315	0+500	30,0	350,00	25,0	300,00	15,0	300,00



Temperature range		Stem Length in "mm"					
CODE	Single Scale °F/°C	Min stem Lg 6.35 dia tube	Max stem Lg 6.35 dia tube	Min stem Lg 8,0/9,5 dia tube	Max stem Lg 8,0/9,5 dia tube	Min stem Lg 12,0 dia tube	Max stem Lg 12,0 dia tube
316	-2+104/-20+40	110,0	450,00	95,0	400,00	65,0	375,00
317	-2+140/-20+60	85,0	450,00	75,0	400,00	50,0	375,00
318	-2+248/-20+120	50,0	450,00	45,0	400,00	30,0	375,00
319	-20+86/-30+30	110,0	450,00	95,0	400,00	65,0	375,00
320	-20+122/-30+50	85,0	450,00	75,0	400,00	50,0	375,00
321	-20+158/-30+70	70,0	450,00	60,0	400,00	45,0	375,00
322	32+140/0+60	110,0	450,00	95,0	400,00	65,0	375,00
323	32+176/0+80	85,0	450,00	75,0	400,00	50,0	375,00
324	32+212/0+100	70,0	350,00	60,0	300,00	45,0	300,00
325	32+248/0+120	55,0	350,00	50,0	300,00	35,0	300,00
326	32+320/0+160	45,0	350,00	40,0	300,00	30,0	300,00
327	32+392/0+200	35,0	350,00	30,0	300,00	25,0	300,00
328	32+482/0+250	50,0	350,00	45,0	300,00	30,0	300,00
329	32+572/0+300	40,0	350,00	35,0	300,00	25,0	300,00
330	32+752/00+400	35,0	350,00	30,0	300,00	20,0	300,00
331	32+932/0+500	30,0	350,00	25,0	300,00	15,0	300,00

Note: Other Special Temperature Ranges also can be given on added cost per Range,
Extra Stem length upto 600mm in any size STEM DIA will be provided at extra cost for every 10mm added on length.

Standard Followed (in general)	:	EN 13190	
Pressure rating of stem	:	Medium - Ambient -	Pmax. +6bar Pmax. +10 bar
Working Pressure:	:	Normal	Measuring range as per EN13190
	:	Short time:	Scale range as per EN13190



www.forbesmarshall.com

Forbes Marshall Pvt. Ltd.
A-34/35, MIDC, Industrial Estate, 'H' Block, Pimpri, Pune - 411 018. India.
Tel.: 91(0)20 - 27442020
Fax: 91(0)20 - 27442040 E-mail: gsyed@forbesmarshall.com

Domestic:
Ahmedabad, Alibag, Bangalore, Bhopal / Indore, Chandigarh, Chennai, Coimbatore, Delhi, Hyderabad, Jamshedpur, Kolkata, Mumbai, Nagpur, Navi Mumbai, Surat, Trichy, Vadodara, Visakhapatanam
International Operations: exp@forbesmarshall.com
Bangladesh, Canada, Egypt, Indonesia, Iran, Kenya, Malaysia, Nepal, Sri Lanka, Thailand, U.A.E. (Instrumentation) (Boilers & Boiler Accessories)USA,



Trusted Partners.
Innovative Solutions.